



TAWREEDTM
GLOBAL

YOUR BUSINESS
IS OUR CHALLENGE

TABLE OF CONTENTS

ABOUT GLOBAL TAWREED	2
FOUNDER'S MESSAGE	4
PRODUCTS & SERVICES	6
PROCUREMENT	33



GLOBAL TAWREED

Global Tawreed General Trading Co. W.L.L. A National Kuwaiti Concern established for the purpose of serving and supplying the Oil and Gas Sector, Refineries, Petrochemical Industries and the Power Sector in the State of Kuwait. Global Tawreed, since the inception, enriches itself with experience and knowledge and proficiency on advanced market planning as a major strategy for growth. A strong commitment to project schedules and quality of supplied materials and understanding of customers' needs has resulted in winning orders for EPCs and Local Contractors. Behind the tremendous success and growth is the sheer foresight and vision of our top management who translate every vision into positive action. Global Tawreed has achieved and maintained its position as a market leader by offering best materials from within approved manufacturers resulting in major benefits to all our clients. Global Tawreed has experience in marketing and sales of equipments and materials for the Hydrocarbon, Petrochemical and Power Industries. Global Tawreed has a professional team with extensive knowledge in the upstream and downstream Oil Industry. Also, we have implemented ERP system, which is comprised of powerful and strategic business process management tools that can be used to manage information within an organization. While our organization operating is different to face all the common challenge and in order to stay competitive in today's business environment, our ERP system is a dependable and efficient way to store and access information. Our ERP system integrate all facets of an enterprise into one comprehensive information system that can be accessed by individuals across an entire organization. To succeed in today's increasingly competitive and complex business environment, we have put system in place that allow our team to easily streamline, automate, and scale. Our ERP system resource will put our team on the right track toward choosing, implementing, and managing business at our organization.



INTRODUCTION



“ Even when supporting the largest multi-national customers with their global business needs, it still comes down to that one-to-one relationship. That’s the difference in how we approach business at Global Tawreed, and how we’ll succeed in the future.”

Global Tawreed is specialized in

- INDUSTRIAL EQUIPMENTS
- AUTOMATION & SMART PROCESS CONTROLS
- COMMISSIONING AND PRE-COMMISSIONING SERVICES
- AFTER SALES SERVICES AND MAINTENANCE



Global Tawreed is involved in major supply projects including packages viz., Mechanical Equipments, Rotating Equipments i.e. Pumps, Compressors & Turbines, Electrical, Instrumentation and also involved in many Maintenance Contracts. Global Tawreed has an excellent track record of achievement in the services sector and is managed by service industry professionals, a quality which is a vital factor in securing and maintaining long term delivery.

FOUNDER'S MESSAGE



Global Tawreed is organized to cater to the needs of all clients by providing them with the right equipment and materials at a competitive price and best possible delivery. Global Tawreed is manned and managed by highly qualified professionals/engineers and business administration in various disciplines. Global Tawreed is backed by a modern computerized data and information which enables all concerned to access and locate the suitable source, marketing, sales, local support and service that is second to none resulting in major benefits to all our clients.

Mohammed A. Shafiq

EXCELLENCE

“Every customer and project is different, with unique challenges and goals. But for each one, regardless of their size or where they are located. We personally seek to ensure each customer’s compliance and satisfaction needs are met.”



PERMANENT EQUIPMENT & SUPPLIES

- PIPES, TUBINGS, FITTINGS & PIPE SUPPORTS
- FRP PIPES AND FITTINGS
- VALVES AND ACTUATORS - ALL TYPES
- MECHANICAL INTERLOCKING SYSTEM
- INDUSTRIAL PUMPS
- FLARE SYSTEM, COMBUSTION SYSTEM AND GAS & VAPOR RECOVERY SYSTEM
- COMPRESSORS & TURBINES
- SKID PACKAGES
- FILTRATION UNITS AND HYDRO CYCLONE PACKAGE
- OIL AND GAS SEPARATORS
- PRESSURE VESSELS, HEAT EXCHANGERS, FIRED HEATERS , BURNERS & OTSG
- TOWER TRAYS, PACKINGS AND INTERNALS
- INSTRUMENTATION - CONTROL SYSTEMS & SMART OPERATION SYSTEMS
- INTERGRAPH & ERP SOLUTIONS
- LOW VOLTAGE DISTRIBUTION, MEDIUM VOLTAGE DISTRIBUTION AND MISCELLANEOUS POWER SUPPLY SERVICES

CONSUMABLES

- GASKETS, STUDS, AND MANY OTHER ITEMS
- WELDING MATERIALS AND ASSOCIATED SUPPLIES SUCH AS CUTTING DISCS & ABRASIVES
- SAFETY ITEMS
- CHEMICALS
- AND MANY OTHERS

AVERAGE PROCUREMENT

Direct Supply to Clients Euro:10 Million
Indirect Supplies Euro: 06 Million

REPUTATION

Global Tawreed has achieved and maintained its position as a market leader by offering best materials from within approved manufacturers resulting in major benefits to all our clients. Global Tawreed has the experience in the marketing and sales of equipment and materials for the Hydrocarbon, Petrochemical and Power Industries. Global Tawreed has a professional team with extensive knowledge in the upstream, Midstream and downstream Oil Industry.

PRODUCTS

Global Tawreed high performance culture is built on the quality and dedication of our people. Each time we deal with a customer, we have an opportunity to deliver the Global Tawreed experience."

OUR CLIENTS

The main clients served by us are:

- Kuwait Oil Company
- Kuwait National Petroleum Company
- Kuwait Gulf Oil Company & Chevron
- Kuwait Integrated Petroleum Industries Company
- Ministry of Electricity and Water
- Ministry of Communication
- Kuwait University and Kuwait Scientific Research Institute
- Many other Public Sector Contractors (Local and International Contractors)

WORK FIELD

Global Tawreed is able to find and accomplish solutions in the field of Flow Control, Batch control, Tank Management, Pipe Leakage Control Systems with the help of Flow meters, Process and Instrumentation including Integration of Automation & Control, Packages, Compressors and Turbines, Pumps and Valves, Flaring Systems, Centrifugal Pumps, Multi Phase pumping Packages, Gas Refrigeration, Gas Utilization and Compression.

Global Tawreed is advanced due to the fact that they are well knowledgeable in the various fields and disciplines in the Oil & Gas power generation, petrochemical industry and in their various specialized sections. This gives us the advantage of offering various technologies, services, solution and material meeting the needs of the client. Adding close contacts and connections with the specialized companies in the various fields and the link to the end-user does round up the ability of Global Tawreed for the local market in Kuwait

- Petroleum (Oil & Gas) Industries
- Power Plants Industry
- Steel Plants
- Chemical Plants
- Water Treatment/Waste Water Recycling Plants
- Food & Beverages

Global Tawreed is specialized in delivering Equipment, spare parts and general supplies on a routine and urgent basis to all customers. Global Tawreed is a highly responsive company in meeting the needs and requirements of the various industries and projects in Kuwait.



INDUSTRIAL EQUIPMENTS

FLARE SYSTEM, COMBUSTION SYSTEM AND GAS & VAPOR RECOVERY SYSTEM

Global Tawreed also offer Flare systems from one of the industry leaders in Combustion and Pollution Control Technology, providing quality Flare systems, Thermaloxidizers, Incinerators, Burners, and Ignition systems. The air quality and pollution control equipments are designed by some of the most experienced engineers in the industry. All kinds of solutions are offered in areas like petroleum refining and production, chemical processing, offshore production, chemical loading, natural gas production, steel fabrication, bio-fuel production waste water treatment, and landfills. Our principals have a full service engineering, design, and manufacturing firm, specializing in Thermal Oxidizers, Incinerators and Combustion systems for volatile, semi volatile and organic compounds. Also they have some of the most experienced combustion engineers in the industry and the in-house expertise capable of designing and virtually any application.

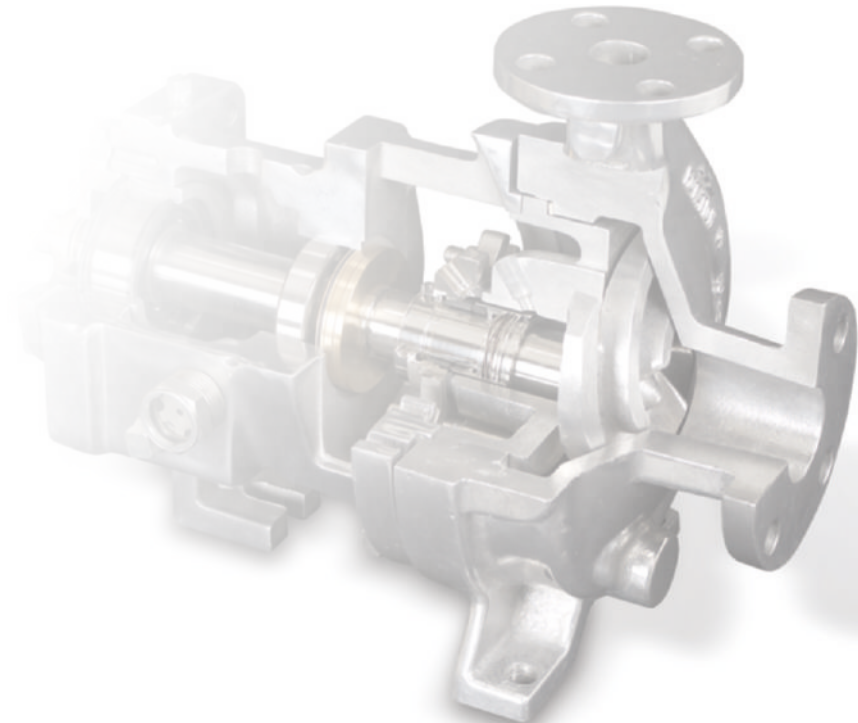


Global Tawreed Service Company along with their principals provides services on Upstream, Midstream and Downstream & Marine Vapor Recovery Units (VRU) within the State of Kuwait. Over the years we have grown to a global supplier and services provider to the petroleum, petrochemical, and natural gas industries. We also offer one of the largest after sales service and spare parts groups in the market. Global Tawreed customer base consists of many large companies KOC, KNPC, EQUATE, KAFCO, KIPIC and JO.



ROTATING EQUIPMENTS PUMPS

Global Tawreed can offer all kinds of Industrial and Special Pumps and packages as per API and ASME standards. The solutions for application starting from Water, Crude Oil, Chemicals to highly corrosive liquids are offered. The in-depth experience of the Manufactures that we represent has actually allowed to enlarge the offered range of products and services offered and its capability of developing solutions to meet customers' requirements, make it a precious partner for all those companies that require, for their existing plants or for the development of new ones, heterogeneous solutions and systems with a high technological level and "tailor-made" products based on the real application.



COMPRESSORS

Global Tawreed offers compressors for virtually any air and process gas application. Each system is custom engineered for optimum performance and outstanding return on investments. Through innovative technology and quality manufacturing by our principals we can deliver solutions that boost productivity, reduce operating costs and safeguard the environment.



TURBINES

Global Tawreed offers a complete range of Industrial Turbines to meet the most challenging requirements of the Oil & Gas and Power Generation Industries. Customized solutions, a perfect match with the driven compressor and a modular design philosophy ensure optimum efficiency without compromising reliability and availability.

ELECTRIC DRIVES

Global Tawreed can provide Electric Drives for rotary equipments for any requirement. Product segment includes AC and DC drives, low, medium and high voltage induction motors, single and three phase squirrel cage asynchronous and slip-ring motors in various housing designations with different cooling methods as well as gearbox units with various mounting forms.



STATIC EQUIPMENTS

OIL AND GAS SEPARATORS

Once oil and gas are brought to the surface they must be processed to enhance their value. First step to achieve this objective is to separate the fluids into their main phase namely, oil, water, and natural gas. Our clients can count on us in their need of supply for separators and vessels required in Petrochemicals (Oil & Gas) Offshore and onshore, Gas treatment, Gas process, Vacuum technology, Chemicals, Producing and treating energy, Cogeneration and Ecology.

We specialize in filling the needs of the industry with products designed to withstand the rigors of oil and gas production. We understand that the ability to separate oil, gas, and water in oilfield operations is critical; that's why we provide a wide range of robustly engineered 2 and 3 phase separators. Two phase separators are designed specifically for gas and oil, while 3 phase separators are designed for gas, oil, and water. Vertical separators are designed primarily for intermediate gas-oil ratios, while horizontal separators are suited for high gas-oil ratios and constant flow well streams. These high pressure separators are available in vertical or horizontal configurations, with a wide range of sizes and capacities.

TOWER TRAYS, PACKINGS AND INTERNALS

Global Tawreed provides specialized range of product which includes Mass Transfer Equipments for Oil & Gas / Petroleum/ Petrochemical / Fine Chemical / Chemical Industries. Range of Supply includes the world class products offering high efficiency and low pressure drop which fits in your requirement for Towers (Columns) or Vessels used in services such as Distillation, Absorption, Stripping, Liquid-Liquid Extraction and Gas-Liquid Separation.



FILTERS / STRAINERS

Filtration is an important Unit Operation in Industry and regardless of your specialization - upstream production or oil services Global Tawreed can supply the filtration and separation solutions to meet your increasing production and processing needs.

HEAT EXCHANGERS, FIRED HEATERS AND BURNERS

We can Supply the Heat Transfer Equipments in compliance with International recommended specifications, codes and standards required in major sectors of Oil & Gas / Petroleum Refining / Petrochemicals / Chemical industries for heating or cooling process fluids and for thermal cracking.



SKID PACKAGES

CHEMICAL INJECTION PACKAGE

We can provide simplified chemical dosing program thru injection packages. for upstream oil and gas production, water injection and reduction of corrosion problems.

PRESSURE TEST PACKAGE

The most important testing in industry is for recertifying valves and piping. We can assist our customers with supply of Pressure Test Package which can be used to pressurize various pressure contacting items, i.e. hoses, tubing, casings, pressure vessels, etc.



SOLAR POWERED INJECTION PACKAGE

The solar panel(s) feed a PWM-type charge controller, which charges the batteries during daylight hours and controls voltage and current. The new ultra-efficient electric chemical injection pump by our principal is controlled by a high resolution continuous duty pseudo-3phase controller/motor system; providing a truly continuous injection rate.

RENTAL PACKAGE

Global Tawreed is also providing Pneumatic & Solar Rental Packages.



FLOW METERS & PACKAGES

FLOW METERS

With Linear, safe and precise with uniform speed of response – Whether you are in the Upstream, Midstream or Downstream markets, you'll find Global Tawreed who delivers knowledge, solutions and support to keep you ahead of production and cost targets - not to mention the competition. Our principals' growing applications portfolio includes fiscal measurement solutions across the upstream and downstream petroleum markets. All applications incorporate high precision PD meters in conjunction with piston control valves from our reputed suppliers. This is the unique combination that sets the standard for accuracy, stability and reliability throughout the industry. In other words it is just – FASTER, SAFER, MORE RELIABLE & MORE EFFICIENT



FLOW METERING PACKAGES

Providing innovative solutions to address your unique applications, Global Tawreed supplies through reputed manufacturers- high-performance metering skids constructed to match your flow rate requirements, and product benefits and options which includes

- High load capacity
- Durable, corrosion-free construction
- Negligible downtime
- Low maintenance costs
- Full assembly on robust, steel frames
- New and retrofitted designs
- Check valves and security features

We are ready to serve with supply of the meter skid configurations for customers in the oil refinery, petrochemical and natural gas industries, and each design undergoes thorough performance and safety testing before arriving at your site or facility. It's our goal to provide you and your crew with high-quality, competitively priced fluid packaging solutions, and we also offer a variety of installation and repair services.

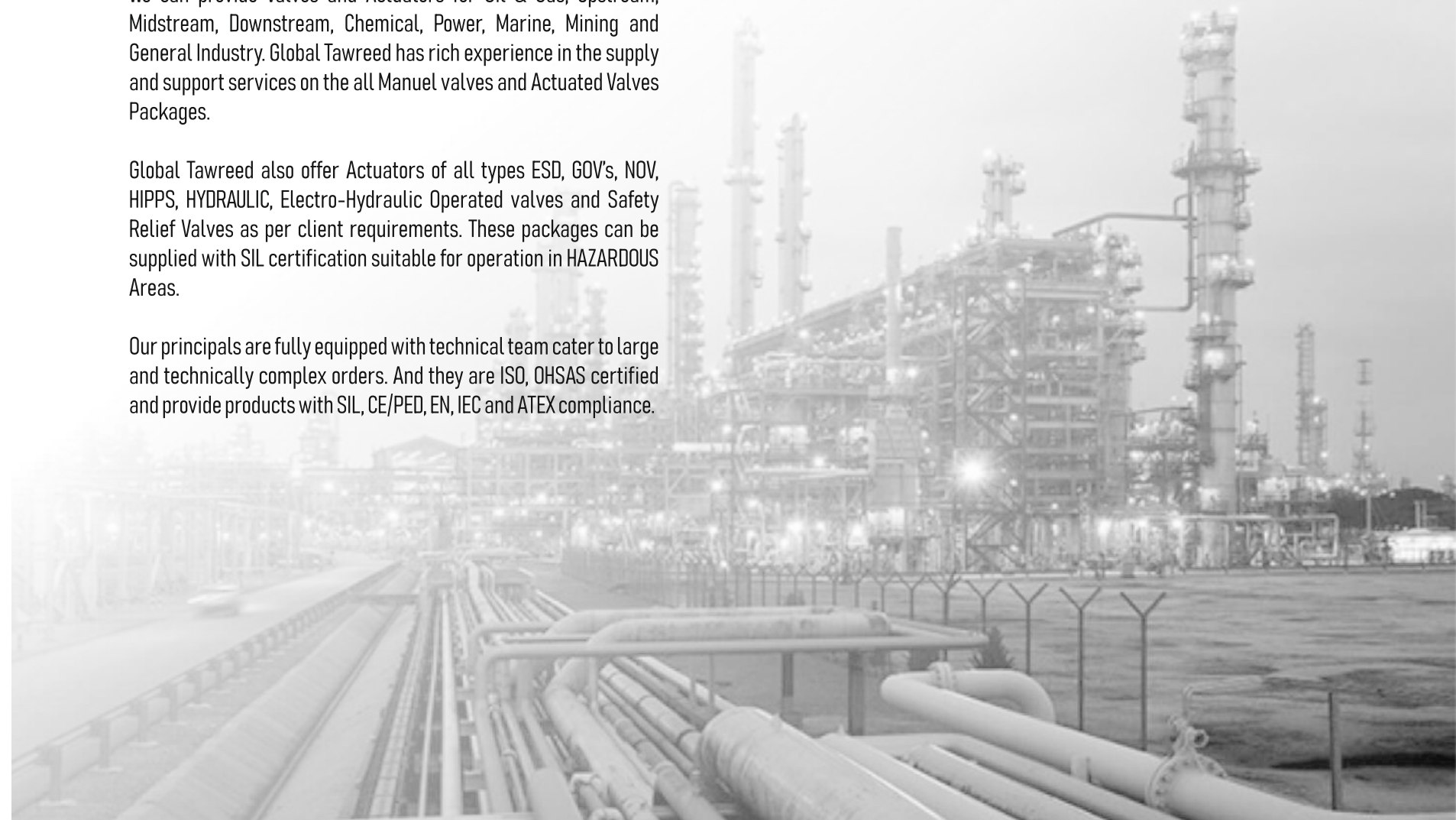


VALVES AND ACTUATORS

We can provide Valves and Actuators for Oil & Gas, Upstream, Midstream, Downstream, Chemical, Power, Marine, Mining and General Industry. Global Tawreed has rich experience in the supply and support services on the all Manuel valves and Actuated Valves Packages.

Global Tawreed also offer Actuators of all types ESD, GOV's, NOV, HIPPS, HYDRAULIC, Electro-Hydraulic Operated valves and Safety Relief Valves as per client requirements. These packages can be supplied with SIL certification suitable for operation in HAZARDOUS Areas.

Our principals are fully equipped with technical team cater to large and technically complex orders. And they are ISO, OHSAS certified and provide products with SIL, CE/PED, EN, IEC and ATEX compliance.



ESD VALVES

The ESD valve packages are supplied from industries' best manufacturers and are provided with complete Instrumentation, ASME certified Air Tanks, Fire proofing accessories, etc. Any additional retrofit items like PST (Partial Stroking facility), Positioners, Valve Leak detection system, etc can also be provided as per client specification.

HIPPS VALVES

HIPPS (High Integrity Pressure Protection System) valves play a vital role in specific application of Safety Instrumented system for protection of downstream equipments from over pressure or upset conditions. The complete HIPPS can be supplied as a complete package with -

- Initiators
- Logic solver
- Final Elements

All these can be supplied with SIL certification and in accordance to International safety standards.

MOTOR OPERATED VALVES

We can also supply all Types of MOV's with Field Bus connectivity, Master station and Hand held configuration tools as per project requirements from internationally reputed manufacturers. These Actuators are with exceptional performances proven from their past installation records. All kind of local assistance is available for configuration, setup, Installation assistance, etc.



CONTROL VALVES

When you think about any process to be automated and controlled in order to achieve a successful results in terms of output with zero losses Control Valves are key players to help you achieve what you want. Control valves to control conditions such as flow, pressure, temperature, and liquid level for any applications can be supplied by us to suit any process requirements. Global Tawreed with the support from the manufacturer's experts review & suggest the suitable types with all required sizing calculations, process parameters, etc. These valves comes with all required accessories like the positioners etc. and all communication protocols like 4-20mA signals for industry, 0-10V for HVAC systems and the introduction of "Smart" systems, HART, Fieldbus Foundation and Profibus are available as per client requirements.

These control valves are available in Reverse Double-Ported Globe-Style Valve Body, Three-Way Valve with Balanced Valve Plug, Flanged Angle- Style Control Valve Body, Valve Body with Cage- Style Trim, Balanced Valve Plug and Soft Seat.



ACTUATORS (ELECTRIC, PNEUMATIC, HYDRAULIC, ELECTRO-HYDRAULIC, GAS POWERED AND SUBMERGED)

In the face of such challenges, valve actuation has become an even more vital part to play in any oil and gas facility. Whether you operate Upstream, Midstream, Downstream, Water & Waste Water, Mining, Power, and Industrial Process. They are integral to the smooth running of your plant – the one product that will help you controls your valves and drive efficiency and safety. Global Tawreed can not only provide you with a range of standard solutions that are robust, durable and compliant, but also customize actuators to meet your specific requirements.

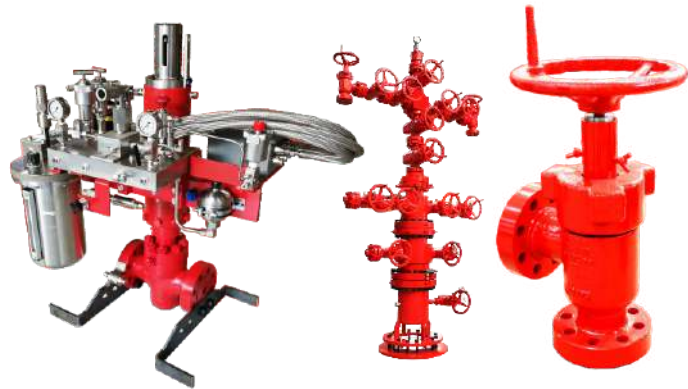


MECHANICAL INTERLOCKING SYSTEM

We provide a wide range of Safety interlock systems for valves and other Safety accessories for Oil & Gas, Chemicals & Food industries.

WELLHEAD EQUIPMENTS, SSVs AND X-MAS TREE

Global Tawreed excels in catering diverse field of Oil & Gas production. In order to maintain the excellence Global Tawreed covers almost all major equipment for Oil & Gas Production. A segment of this special product range is Wellhead Equipment - valves, SSV, X-Mas trees, Chock Valve and parts, flanges etc. You can count on us in your requirement of Wellhead equipment. We can supply Wellhead Equipment And Valves compliant to internationally recognized standards e.g. API 6A & API 16C to guarantee each product come to customers with very best condition and to suit their requirements.



MULTIPORT SELECTOR VALVE

We are committed to provide quality solutions for the Oil & Gas Production Industry...

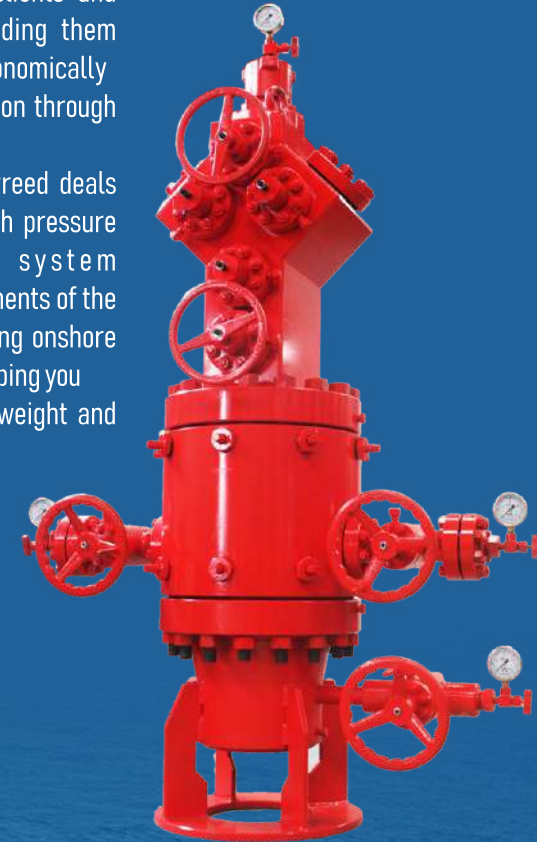
Traditionally, the connection of individual flow lines to a single production flow stream and to a test separator required a manifold with multiple two- or three-way valves, shut-off devices and complex piping required manual operation with considerable maintenance, downtime, numerous potential leak points, and risk to personnel. Solution for this challenging requirement is Multiport Flow Selector which allows the diversion of fluids from a single flow line to a test outlet or a sampling device. A single Multiport Flow Selector can manifold as many as eight flow lines through it simultaneously. While the one outlet is isolated, the flow from the other seven is combined into a separate group outlet. This unique flow selector can be used in a variety of oil and gas or process applications.



COMPACT MANIFOLD

Global Tawreed focuses more on complex issues faced by clients and emphasizes more in providing them with an engineered, most economically feasible and optimum solution through their principals.

For an instance Global Tawreed deals with supply of Compact high pressure valves and manifold system components for all environments of the oil and gas industry including onshore and offshore. It's a way of helping you maximize space, minimize weight and increase production.



PIPES, TUBINGS, FITTINGS AND SUPPORT

Global Tawreed strives for excellence- both in products and services. In order to meet the expectations of our customers and to increase the level of customer satisfaction, we can deliver according to individual specifications and special requirements.

TUBINGS

Our portfolio covers various steel grades, austenitic, ferritic, austenitic-ferritic classes, duplex, super duplex and a dimensional range from 4-168mm with wall thickness of 0.2-28mm and a maximum tube length of 25metres. The product segment includes Instrumentation tubes, Boiler tubes, Furnace tubes, Hollow bars , Heat-exchanger tubes, U bent Tubes, General tubes & pipes, Tubes of nickel alloys, Steel Coupling, Elbows, Flanges, Tees and other pipe fittings.

PIPES & FITTINGS

Global Tawreed can supply all kinds of Pipes (Line Pipes, ERW, SAW, etc) in different material grades and up to any size as per project requirements. All fittings not limited to Flanges, Blinds, Bends, Tee joints etc. can be provided as per client needs from reputed / certified foundries/ Mills.



FRP PIPES AND FITTINGS

Steel pipe is particularly prone to corrosion and scaling that incurs high costs for both ongoing maintenance and emergency repair. As steel pipe lines deteriorate the transmission capacity reduces which has a direct impact on commercial operations, increasing costs and lowering profitability.

While FRP Pipes are characterized for their outstanding corrosion resistance, scale and paraffin deterrence, low coefficient of friction, low distance pressure-drop, easy installation, high safety and operating reliability.

We provide a wide range of FRP pipes , fittings and flanges for Oil & Gas industries and other industrial uses with compliance to International standards.



DOWNHOLE PIPE & CASING (FIBERGLASS)

Fiberglass reinforced aromatic amine cured epoxy resin casing and tubing designed for down hole service of medium to high pressure at depths. They are generally connected with external thread and coupling with some integrally connected. All connecting threads are manufactured as per Table 2.2 and 2.6A of American Petroleum Institute standard.

Casing system is recommended for use in:

- Production wells (oil, gas, thermal)
- Disposal wells (salt water, chemical effluent, and waste)
- Injection wells (salt water, CO2)
- Liners for the repair of corroded steel casing
- Municipal and commercial water wells safety standards.



AUTOMATION & SMART PROCESS CONTROLS

SYSTEM INTEGRATION - PLANT AUTOMATION- DCS, ESD and F&G SYSTEMS

GLOBAL TAWREED with its strong support and rich experience and knowledge from their Principals can provide services in the DCS, SCADA, ESD & F&G systems & Plant Automations and controls. Although unique specialization and requirements has been in projects for power stations and oil and gas processing plant, including refineries and oil well equipment. With the deep knowledge & hundreds of man-hours experience on DESIGN & the software and hardware handling capabilities of all major system manufacturers, gives the company the knowledge and versatility for any project in the automation field.

INTEGRATED SAFETY SYSTEMS (F&G DETECTION, F&G ALARMING, PA-GA SYSTEM, FIRE SUPPRESSION SYSTEMS)

Global Tawreed also offers and provides expert solutions on the safety Integrated systems on the F&G related systems through their Principals who have a strong background on the Design and system Integration of the F&G related systems and services, Fire suppression systems etc. as a complete package with integration to ESD up to SIL according to International standards . safety standards.

INTERGRAPH - SMARTPLANT SERVICES

Global Tawreed is known for introducing modern services which are strongly recommended to meet high standards due to recent Industrial advances. In order to achieve this Global Tawreed with their pioneered partner involved in a business for providing the software and solutions to improve the lives of millions of people through better facilities, safer communities and more reliable operations. We are proud to present long-termed expertise with our partners in the Intergraph- CAD-/CAE surroundings and have a pool of experts networking.

SMART OPERATION SYSTEMS

Global Tawreed's Prime focus is to provide best possible solutions for Industries in order to achieve the Optimized Operational Cost. Have you ever imagined how much cost can be saved by implementing the Smart Operation Systems in Plants. This revolutionary software is a future of Industry when it comes to avoid the cost on serious failures before they happen. The said potential software of its own kind which indicates early warnings and advises on diagnostic for future failure, cause and proposes Preventive measures.

This specific tool helps the operators in Control Room not only with the Tag No. of Equipment but to locate the equipment where failure may occur and also directs them in a virtual 3D Plant Environment about the location. This is not enough – it may assist you with 3D Images (showing part to be rectified or replaced in an isometric view of components for that equipment) along with Service Manual and spares details with cost etc. This reduces drastically the operation & maintenance cost by such advance alarming & service / maintenance guidance avoiding shutdowns or downtime for repairs.

EQUIPMENT'S MANAGEMENT SYSTEM

Plants and Industries are getting complex day by day with stringent requirements of documentation and to simplify the management of equipments and facilities with our partners is a lean, intuitive and affordable operations management system. The software organizes data efficiently – so it's where you need it, when you need it – while streamlining inspection and reporting processes to help you stay compliant. Its architecture is equally simple: It takes the best tools from enterprise resource planning, safety, project and asset management systems and combines them into a site-centric software suite. Take control of sites, facilities, equipment, inspections, work orders, projects, incidents and much more. With handy functionality, like dashboard KPIs, mobile integration and powerful quick-searching capability, we assure your data doing the heavy lifting for you.



COMMISSIONING AND PRE-COMMISSIONING SERVICES

Oil & Gas operating companies are challenged with the task of completing projects according to the approved Capital Expenditure (CAPEX) budget. Global Tawreed services focuses in providing high level technical expertise that will impact the operability and reliability of your production facilities and will optimize the Operating Cost (OPEX) through the complete asset life cycle.

Global Tawreed has been providing technical services to the Oil and Gas industry since 2000 including; Pre-Operations, Pre- Commissioning, Commissioning, Start-up, O&M, Training, HSE, and O&M Services Global Tawreed skill set in the energy industry is focused on supporting facility owners correctly prepare, commission and start-up their facilities while improving operations reliability and safety including:

- Refinery & Petrochemical Projects
- Heavy Oil Upgraders
- Thermal Production Projects
- Offshore Oil and Gas Productions Facilities
- Gas Treatment Plants
- LNG Facilities
- Pipelines and Midstream processing
- Onshore Production Facilities

Global Tawreed software principal database that facilitates, tracks, manages and certifies the completions progress of every equipment tag number installed on the project.



Within our principal software are links to the equipment tag number which is fundamental to the requirements of inspection, test and commissioning at each stage of the project. To provide traceable documentation that all equipment has been inspected and tested to confirm with safe operation, To highlight any potential operating problems with equipment. To hand the plant over in a better, safer, smarter operable condition through the acceleration of the project completion schedule into production which in turn will provide cost avoidance on large capital projects.

Global Tawreed flexible and agile team of professionals focuses on delivering a suite of mechanical solutions that addresses your most critical operational issues. Our services ensure a successful transition from construction completion to production operations.

Pre Commissioning, Commissioning, Startup and Handover

- Process- Philosophy / Plan & Schedule
- Procedures & Workpack
- Spare Parts
- Start-Up Readiness Assessment
- Start-Up & Handover Plan
- Field Support
- Start-Up & Handover
- Field Audit & Acceptance Test
- Equipment & Process Performance Test
- System Acceptance
- Dossier Preparation
- Property Transfer
- Close-Out

AFTER SALES SERVICES AND MAINTENANCE

Global Tawreed strives to keep customers happy and they are never left alone after supply. As we believe in quality of commitment with customers.

Global Tawreed keep updating feedback on the supplied items in order to ensure their needs of operational spare parts being served without interruption. Our Service division with experts from diversified fields and strong technical knowledge is always ready for conducting site surveys for the supplied equipments in order to collect the data for suggesting our clients the feasible solutions.

We also have a full-fledged Service facility with qualified & experienced service personals to attend to any service requirements like testing, overhauling, refurbishment, calibration/ configurations, retrofit jobs, etc. to cater any needs. Global Tawreed can also take-up Maintenance contracts for continuous support & availability of the service personals for any industry on comprehensive as well as only technical support basis.

PROJECTS PROCUREMENT, MANAGEMENT TRAINING BASED ON PMI STANDARDS

Global Tawreed believes that employees are the best company achievements, all the employees are well trained to new technologies and regular trainings on Primavera software and other PMP courses are provided- so Global Tawreed maintains a standard and hassle free procedures for all procurement and stock related activities. Projects often require the acquisition of goods or services to be successful. A make-lease-buy decision, as a part of the acquisition strategy, can critically impact a project's benefits and outcome. Learn best practices to procure outside services and products – from the initial decision to buy, through final contract closeout. Identify what must be done to successfully execute the four key project management processes: procurement planning, source selection, contract administration, and contract closeout. Formulate the make-lease-buy decision, prepare an effective procurement management plan to guide the team, and use outsourcing and partnering for maximum benefit. Lessons learned and best practices from procurement theory and experience are also presented.



THE MAIN OBJECTIVES WERE:

- Conduct a make-lease-buy analysis
- Prepare a procurement management plan
- Identify strategic advantages of specific contract types
- Use outsourcing effectively
- Establish a partnering program
- Perform a successful evaluation
- Work effectively in contract negotiation
- Monitor and Manage seller performance
- Lead a project through contract closeout
- Capture lessons learned



P.O.Box 33152 Rumaihiya, 25562, State of Kuwait
Tel: +965 22282928 ■ Fax: +965 22282927
Website : www.globaltawreed.com
Email. : info@globaltawreed.com